

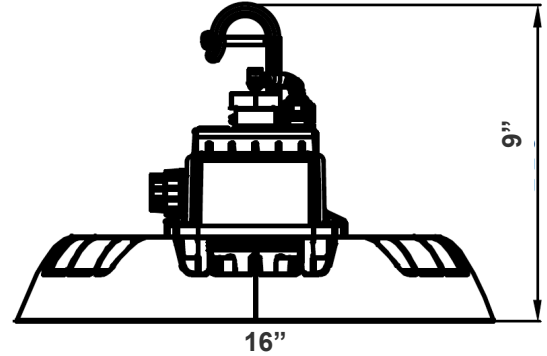
UHX-230W-MCTP

Customer Name: \_\_\_\_\_

Project Name: \_\_\_\_\_

Note: \_\_\_\_\_

Type: \_\_\_\_\_



9" (H) X 16" (D)

In a aluminium shell designed for heat dissipation, UHX is IP65 water resistant rated and ideal for general site lighting, alleys, loading docks, doorways, pathways, parking areas, warehouses and storage buildings.

## Features

- Waterproof design, suitable for wet locations
- ADC12 Aluminum Heat Sink, Outdoor Powder Coating Finish
- Optical Lens: PC Materials High Light Transmittance, Anti-UV, Fire-Resistant
- Multi Color Temperature & Multi Power (Selectable Switch Located On The Driver Housing)

## Technical Specifications

### Electrical:

- Input Wattage: 100W/ 150W/ 200W/ 230W
- Input Voltage: 120-277VAC 50/60Hz
- Power Factor: >0.9
- THD: <20%
- Efficacy: 130 LPW

### Mechanical:

- ADC12 Aluminum Heat Sink, Outdoor Powder Coating Finish
- Optical Lens: PC Materials High Light Transmittance, Anti-UV, Fire-Resistant
- LED: LUMILEDS 2835
- LED PCB Board: High Conductive, Waterproof, Aging Resistance, salt mist Resistance, Ensure the Safety and Long Lifespan
- Operating temperature: -40°F to 122°F
- IP rating: IP65, Wet Locations
- Lifespan: 50,000 Hrs

### Lighting:

- Dimming: 0~10V
- Multi Color Temperature & Multi Power (Selectable Switch Located On The Driver Housing)
- Total Lumens: 13000/ 19500/ 26000/ 29900 LM
- Color Temperatures: 3000K/ 4000K/ 5000K/ 5700K
- Color Rendering index: > 80
- Beam Angle: 90°
- Lifespan: 50,000 Hrs

### Applications:

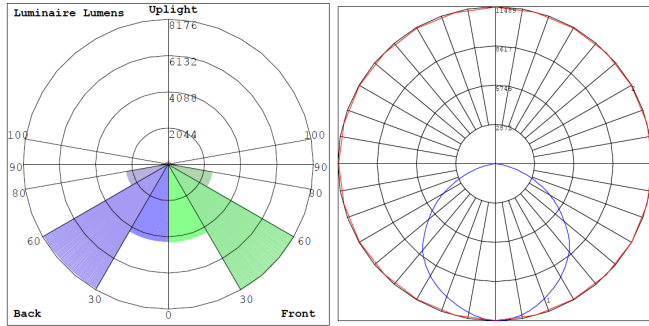
- Ideal for general site lighting, alleys, loading docks, doorway, pathway, parking areas, warehouses and storage buildings.

### Other Models:

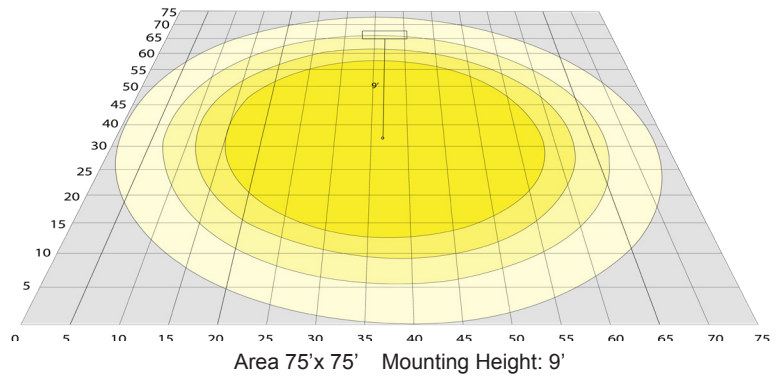
- 150W | 18750 LM | UHX-150W-MCTP



## Photometrics: UHX-230W-MCTP



BUG Rating: B4-U3-G2



## Other Views:



Side View



Top View



Bottom View

## Performance Table: UHX-230W-MCTP

| MODEL NO.     | Wattage | Voltage  | Lumens  | Color Temp | BUG Rating | LPW |
|---------------|---------|----------|---------|------------|------------|-----|
| UHX-230W-MCTP | 100W    | 120-277V | 13000LM | 3000K      | B4-U3-G2   | 130 |
|               | 150W    |          | 19500LM | 4000K      |            |     |
|               | 200W    |          | 26000LM | 5000K      |            |     |
|               | 230W    |          | 29900LM | 5700K      |            |     |

## Sample Ordering

Model Wattage Color Temp.

UHX - 230W - MCTP

## Accessory

Blank = No Accessory  
 HB-RING = HIGHBAY TOP RING ADAPTER, 1/2in  
 HB-EB-50/75 = HIGHBAY EXPANSION BUSHING FROM 1/2in TO 3/4"  
 UHX-SMB = UHX SERIES SURFACE MOUNTING YOKE BRACKET  
 UHX-WG-B = UHX SERIES WIRE GUARD, FITS ON FIXTURES  
 UHX-SC = UHX SERIES 22" SAFETY CABLE  
 UHX-ALR-B = UHX SERIES ALUM. REFLECTOR  
 UHX-PCR-B = UHX SERIES PRISMATIC PC REFLECTOR  
 UHX-PCDC = UHX SERIES PC DROP LENS COVER FOR REFLECTORS  
 UHX-PCC = UHX SERIES PC BOTTOM COVER FOR REFLECTORS  
 UXH-FL-C = UHX SERIES REPLACEMENT FROSTED GLASS LENS

## Factory-Installed Option:

Blank = No Accessory  
 OPT-EM-UHX = EXTERNAL EMERGENCY BACKUP BATTERY INSTALLED ON TOP OF THE FIXTURE  
 OPT-HBC=125TL-BK = NEMA TWIST-LOCK PLUG 8FT, 15A, 125V, 16/3TL, BLK  
 OPT-HBC=277TL-BK = NEMA TWIST-LOCK PLUG 8FT, 15A, 277V, 16/3TL, BLK  
 OPT-HBC=125SB-BK = STRAIGHT BLADE PLUG 10FT, 15A, 125V, 18/3TL, BLK  
 OPT-SEN-UHX = MICROWAVE BI-LEVEL SENSOR

## Example:

1. UHX-230W-MCTP

(FOR UHX 230W MCTP FIXTURE 120-277V)

2. UHX-230W-MCTP  
 HB-RING

(FOR UHX 230W MCTP FIXTURE 120-277V)  
 (HIGHBAY TOP RING ADAPTER, 1/2in)

**WESTGATE**

Phone: (877) 805-2252 | Fax: (877) 805-2252  
 www.westgateemfg.com | www.westgatecontrols.co



## ACCESSORIES:



**UHX-PCR-B**  
UHX SERIES  
PRISMATIC PC  
REFLECTOR



**UHX-ALR-B**  
UHX SERIES ALUM  
REFLECTOR



**UHX-PCC**  
UHX SERIES PC  
BOTTOM COVER FOR  
REFLECTORS



**UHX-PCDC**  
UHX SERIES PC DROP  
LENS COVER FOR  
REFLECTORS



**HB-RING**  
HIGHBAY TOP RING  
ADAPTER, 1/2in



**HB-EB-50/75**  
HIGHBAY EXPANSION  
BUSHING FROM 1/2in  
TO 3/4"



**UHX-SMB**  
UHX SERIES SURFACE  
MOUNTING YOKE  
BRACKET



**UHX-WG-B**  
UHX SERIES WIRE  
GUARD, FITS ON  
FIXTURES



**UHX-FL-C**  
UHX SERIES  
REPLACEMENT FROSTED  
GLASS LENS



**UHX-SC**  
UHX SERIES 22"  
SAFETY CABLE

## FACTORY-INSTALLED OPTION:



**OPT-HBC-125SB-BK**  
STRAIGHT BLADE PLUG 10FT, 15A,  
125V, 18/3TL, BLK



**OPT-HBC-125TL-BK**  
NEMA TWIST-LOCK PLUG 8FT, 15A,  
125V, 16/3TL, BLK



**OPT-HBC-277TL-BK**  
NEMA TWIST-LOCK PLUG 8FT, 15A,  
277V, 16/3TL, BLK



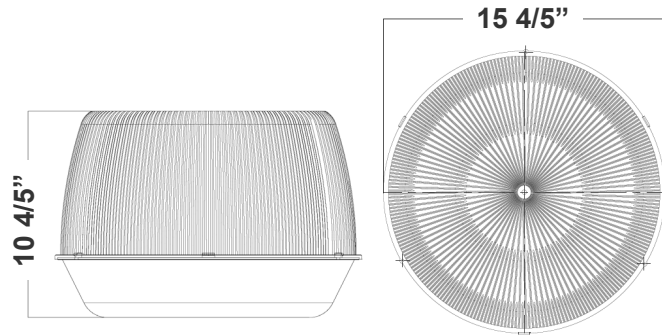
**OPT-EM-UHX**  
EXTERNAL EMERGENCY  
BACKUP BATTERY INSTALLED  
ON TOP OF THE FIXTURE  
(The bracket can be painted)



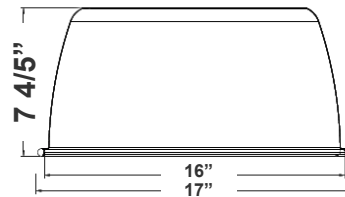
# Dimensions:



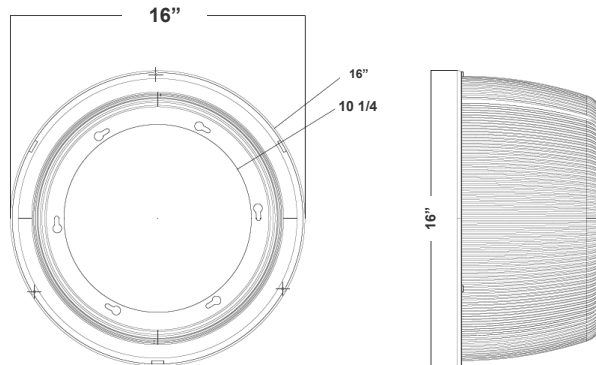
**UHX-PCC**  
UHX SERIES PC BOTTOM COVER  
FOR REFLECTORS



**UHX-ALR-B**  
UHX SERIES ALUM. REFLECTOR



**UHX-PCR-B**  
UHX SERIES PRISMATIC PC  
REFLECTOR



**UHX-PCDC**  
UHX SERIES PC DROP LENS  
COVER FOR REFLECTORS

